

Part number

# MGP 24.240



## Brief description:

surface mounting housing, screw locking, size "104.27", M40 x 2, high protection IP68 version, IP68

### Product description

|                     |   |
|---------------------|---|
| <b>Version</b>      | high protection IP68 version            |
| <b>Series</b>       | surface mounting housing, screw locking |
| <b>Product type</b> | for 2 screws                            |
| <b>Family</b>       | IP68 enclosures                         |
| <b>Size</b>         | size "104.27"                           |

### Technical data

|                                |                                |
|--------------------------------|--------------------------------|
| <b>Material</b>                | metal                          |
| <b>IP degree of protection</b> | IP68 (and IP69K DIN 40050 - 9) |
| <b>Cable entry</b>             | M40 x 2                        |

### Further technical details

|               |            |
|---------------|------------|
| <b>Weight</b> | 1.150,00 g |
|---------------|------------|

### Approvals / Standards

|                     |   |
|---------------------|---|
| <b>Quality mark</b> |  (type:4/4X/12),  , EAC |
| <b>Conformity</b>   | CQC, CE   |

### General ordering information

|                      |               |
|----------------------|---------------|
| <b>EAN13 code</b>    | 8015747117685 |
| <b>Tariff number</b> | 85369095      |

### Packaging Information

|                                  |                      |
|----------------------------------|----------------------|
| <b>Packaging length</b>          | 140,00 mm            |
| <b>Packaging height</b>          | 130,00 mm            |
| <b>Packaging width</b>           | 225,00 mm            |
| <b>Packaging weight</b>          | 2,30 kg              |
| <b>Packaging volume</b>          | 4,10 dm <sup>3</sup> |
| <b>Packaging description</b>     | Carton box           |
| <b>Packaging quantity</b>        | 2 Pcs                |
| <b>Packaging EAN code</b>        | 8015747117692        |
| <b>Sub-packaging weight</b>      | 1,15 kg              |
| <b>Sub-packaging description</b> | Plastic pakaging     |
| <b>Sub-packaging quantity</b>    | 1 Pcs                |
| <b>Sub-packaging EAN barcode</b> | 8015747117708        |

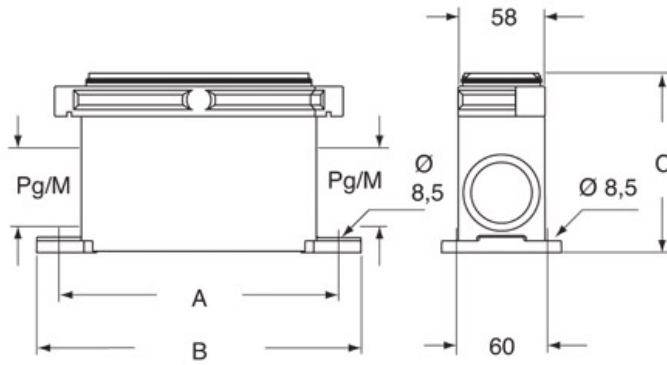
Part number

# MGP 24.240



Catalogue drawings

## CGP - MGP



|                 | A   | B   | C   |
|-----------------|-----|-----|-----|
| CGP 06 - MGP 06 | 127 | 156 | 110 |
| CGP 10 - MGP 10 | 140 | 169 | 110 |
| CGP 16 - MGP 16 | 160 | 189 | 121 |
| CGP 24 - MGP 24 | 187 | 216 | 121 |